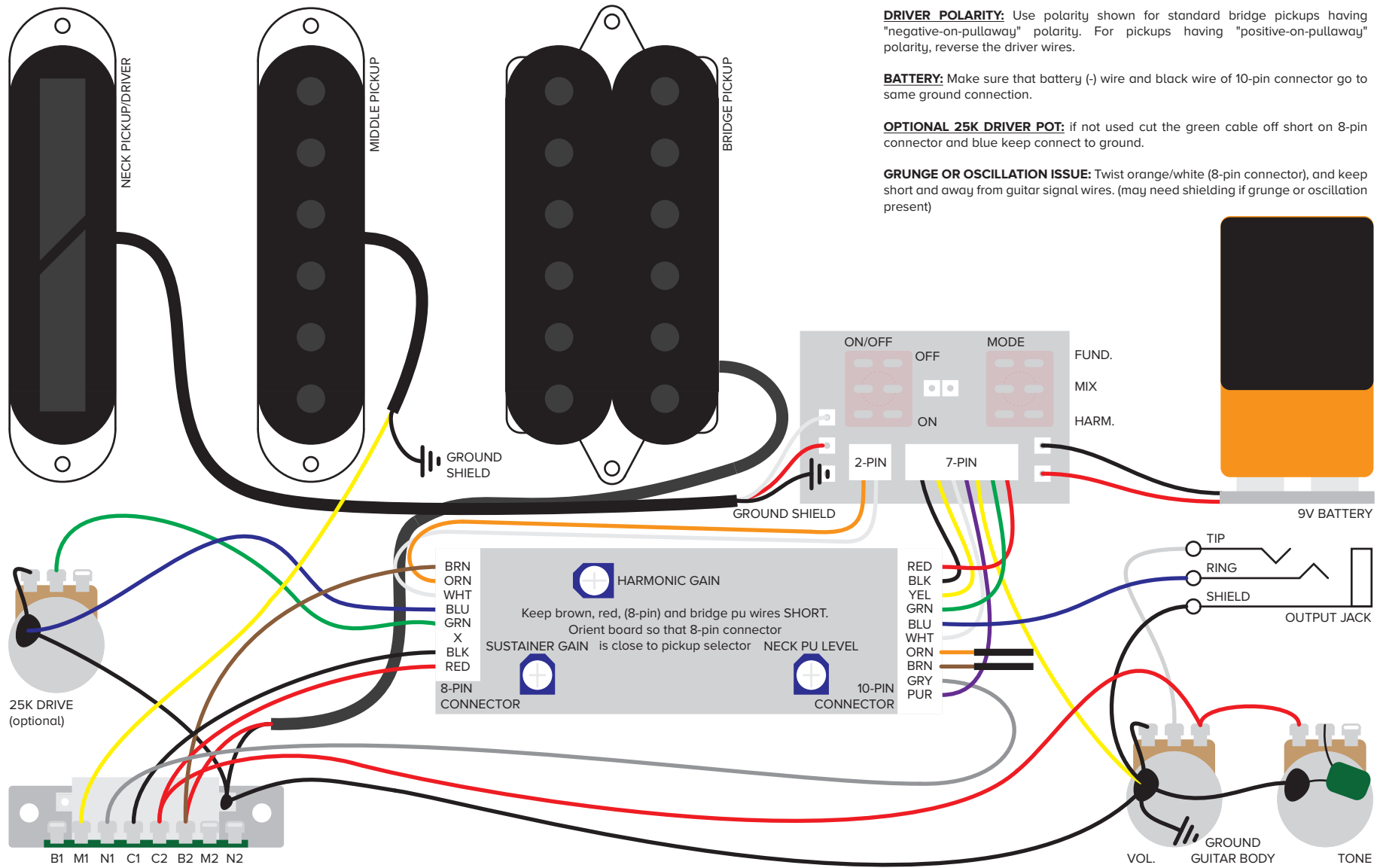


# SUSTAINER KIT WIRING DIAGRAM W/ AUX BOARD



**CAUTION:** Make sure that all pot bodies are connected to ground and also to output jack shield terminal. Orient board to place 8-pin connector close to pickup selector. Trim brown/red wires (8-pin connector) short.

**DRIVER POLARITY:** Use polarity shown for standard bridge pickups having "negative-on-pullaway" polarity. For pickups having "positive-on-pullaway" polarity, reverse the driver wires.

**BATTERY:** Make sure that battery (-) wire and black wire of 10-pin connector go to same ground connection.

**OPTIONAL 25K DRIVER POT:** if not used cut the green cable off short on 8-pin connector and blue keep connect to ground.

**GRUNGE OR OSCILLATION ISSUE:** Twist orange/white (8-pin connector), and keep short and away from guitar signal wires. (may need shielding if grunge or oscillation present)